

SMC™ Adapter

DESCRIPTION

The SMC adapter is part of the SMC optical connector family. It serves to connect mechanically two SMC connector plugs with up to 12 fibers applied for a variety of state-of-the-art and future optical network technologies.

Work is in progress to define a fiber optical connector intermateability standard (FOCIS, ref. no. SP-4834, to be TIA/EIA-604-14).

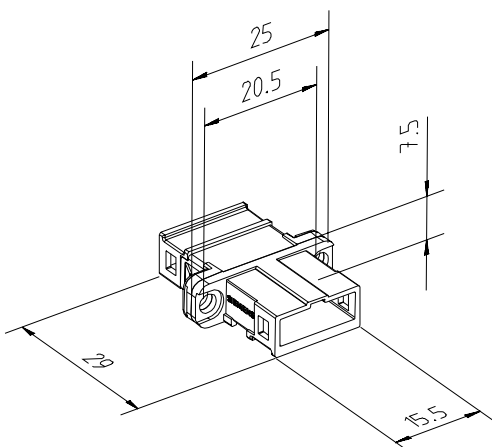
FEATURES

- Single-mode and multimode applications.
- 1-to-1/12-to-12 coding.
- Optional metal EMI shield with small cutout/retaining clip.
- Snap-in and/or screw mounting.
- Both adapter halves riveted or welded.
- Design allows adapter stackability.

TECHNICAL DATA

Parameter	Min.	Typ.	Max.	Unit
Attenuation (connector to connector)		≤0.15	0.75	dB
Durability/matings			1000	times
Repeatability		≤0.2		dB
Latch Retention Force (coupling strength)		80		N
EMI effective cutout		7.5x3.5		mm
Operating Temperature	-40..+85			°C
Storage/Shipping Temperature	-40..+85			°C
Flammability Class	UL 94 V-0			
Physical Dimensions	see figure 1			
Color	black or beige			

DIMENSIONS



MATERIALS

Part	Material
Housing	PPS
Retaining Clip	stainless steel
Rivet	DIN 7340 B3x0.25x4-Ms/nickel-plated

PART NUMBERING

V23867-Z9999-W9xx (options on request)

APPLICATION NOTE

- SMC connector-adapter-connector configurations compliant to Bellcore GR-1435-CORE, IEC 60874-1 and EIA/TIA-455 FOTP requirements.
- Reliable multiple-link and high-bandwidth in-rack, rack-to-rack and patch applications.
- Small interface for direct attach harness, fan-out routing and trunk cable connections.

For further information, please contact your Infineon Technologies Sales Representative.

SMC™ is a trademark of Infineon Technologies.

All rights reserved.