
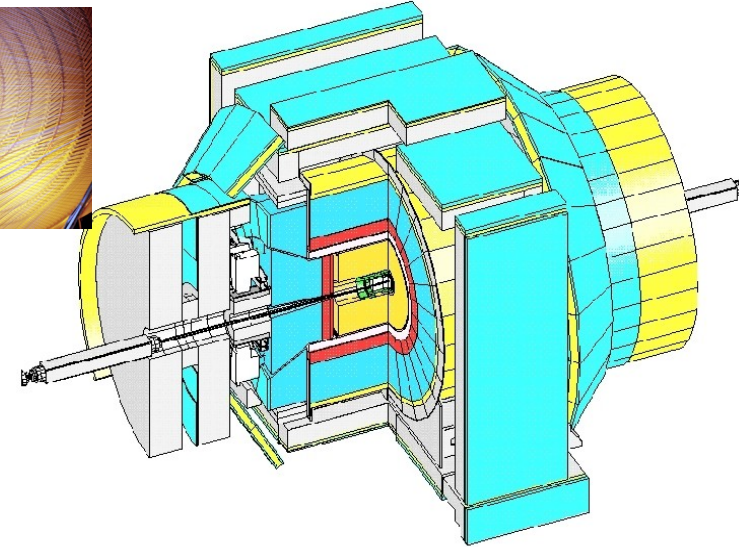
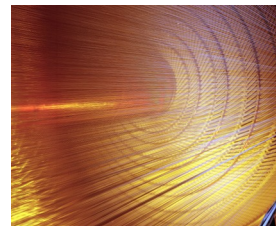
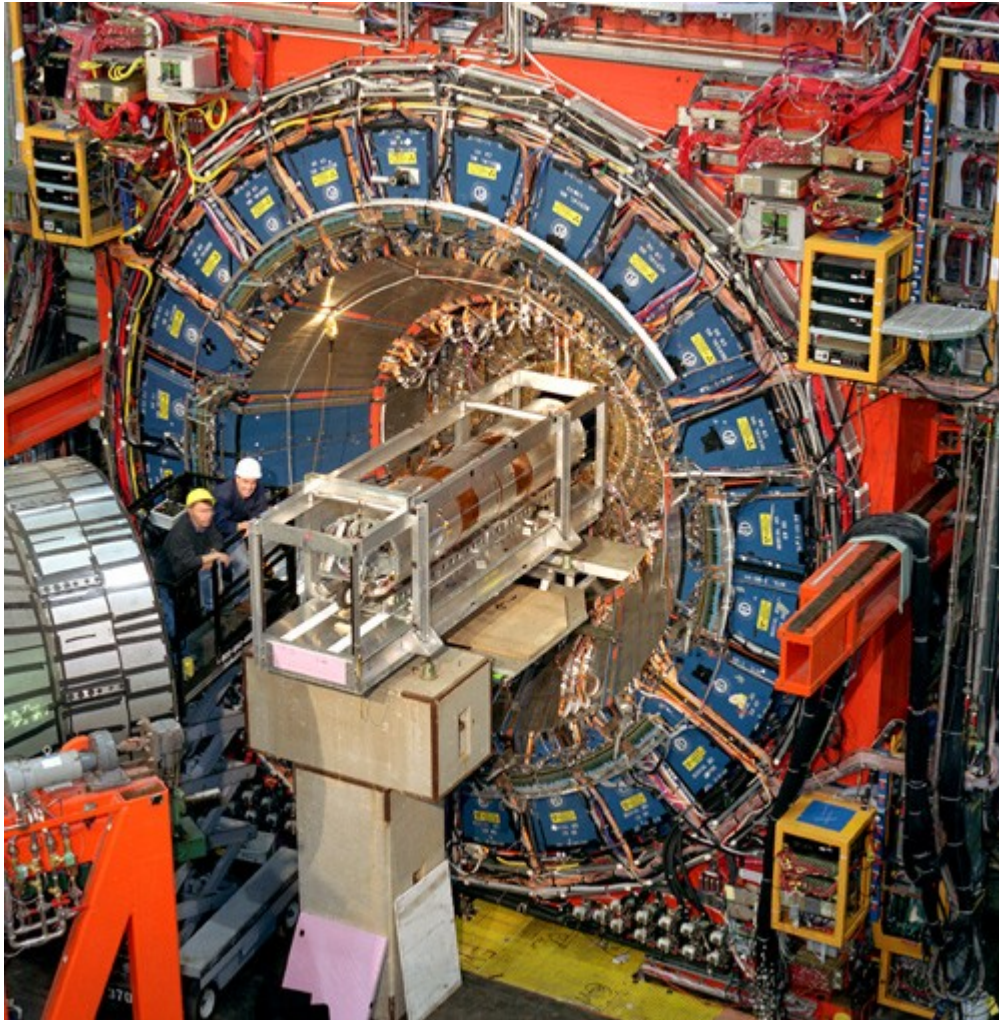


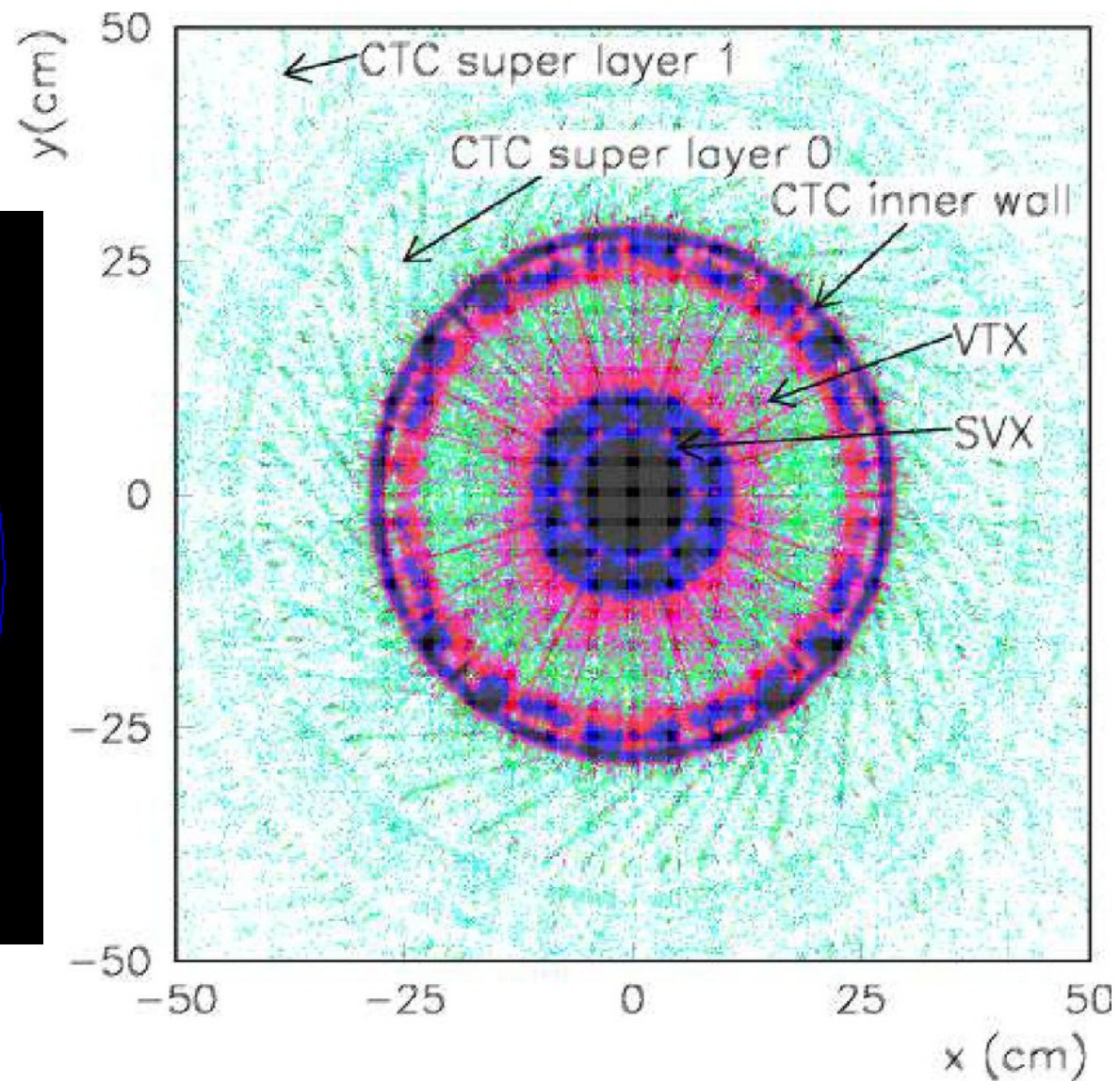
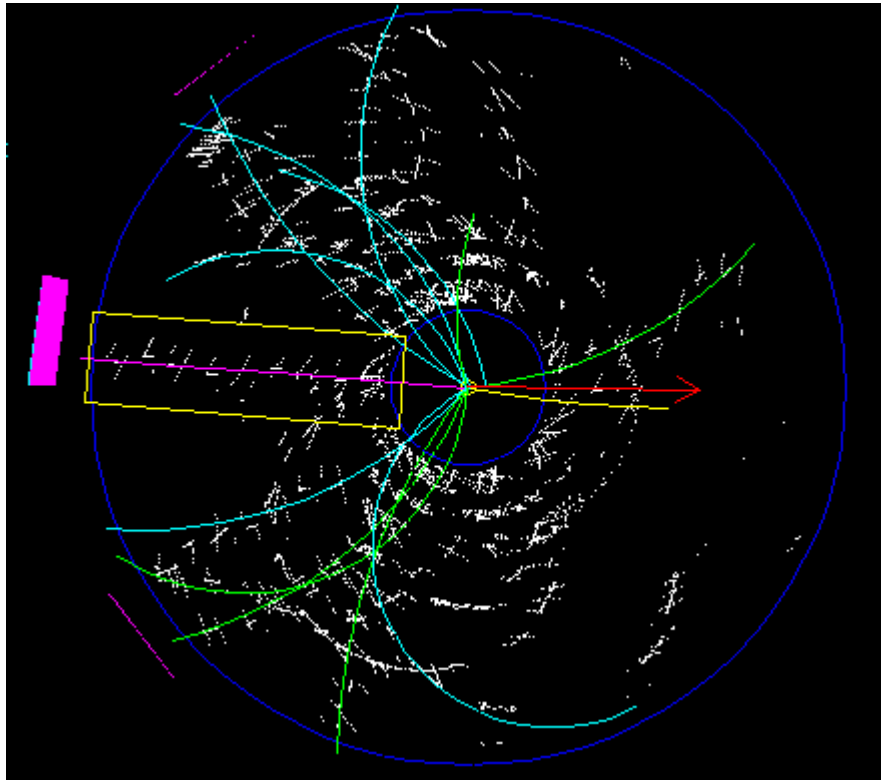
B2  
Symmetry and Relativity  
Lecture 12



# Collider Detector at Fermilab



# Photon conversions at CDF



# Photon conversions at CDF

